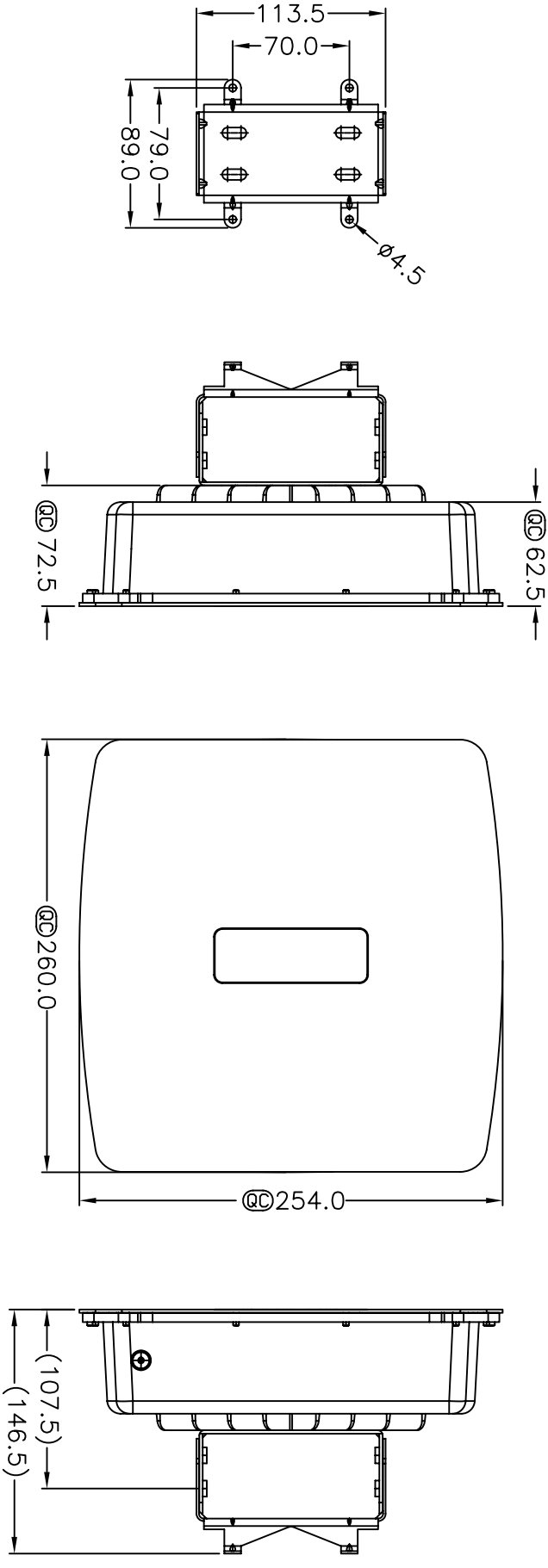
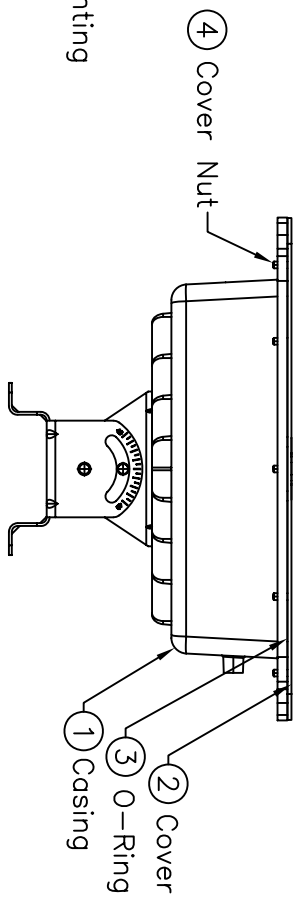


REV. A	EGN NO. Initial Released	DATE 2007/08/06	SIGN Simon	DESCRIPTION Change Rev. 01 to A
--------	--------------------------	-----------------	------------	---------------------------------

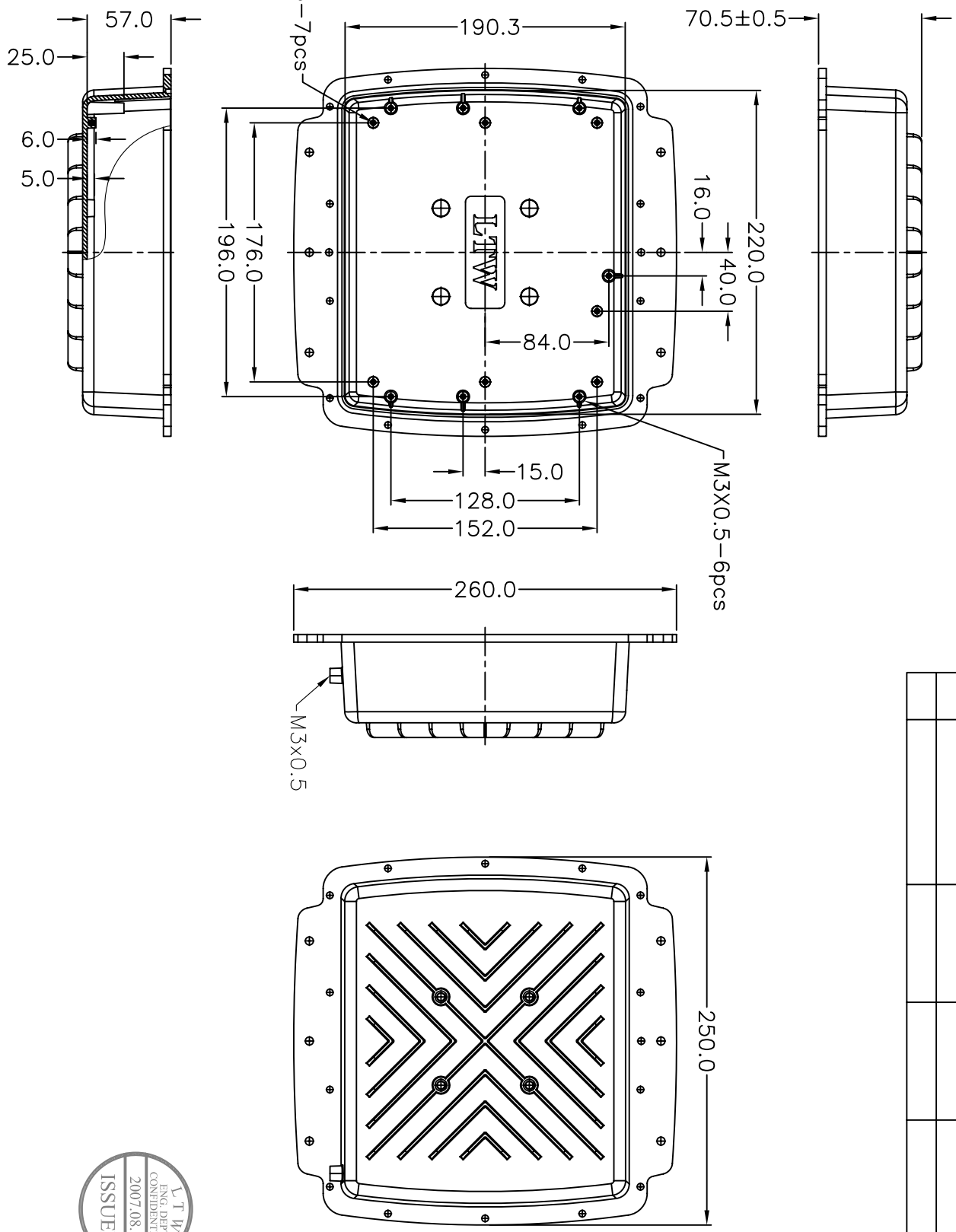


- Notes:
- * ⑥ Important Dimension To Check.
 - * Waterproof Rate: IP67
 - * Casing: Light Gray, Aluminum, Without Painting
 - * Cover: White, Aluminum
 - * O-Ring: Black, Silicone
 - * Cover Nut Torque Force: 8~10Kg_f
 - * U-Bolt Inner Max. : OD 66mm



UNIT:mm		TITLE	Outdoor AP 03 Insert Screw Type Die-Cast Box and AL Cover	ITEM NO	LTW/AP-DDU-M00003	DRAWN BY	Simon	DATE	2007/08/10
TOLERANCE	± 0.5 mm	SCALE	Free	DMG NO	LTW/AP-DDU-M00003	CHECKED BY	Kathy	DATE	2007/08/10
REV.	A	SIZE	A4	CUSTOMER		APPROVED BY	Max	DATE	2007/08/10
			⑥ :inspection item						

REV. A	ECON NO. Initial Released	DATE 2007/08/06	SIGN Simon	DESCRIPTION Change Rev. 01 to A
--------	---------------------------	-----------------	------------	---------------------------------



UNIT:mm TOLERANCE ±0.5 mm	TITLE Outdoor AP 03 Insert Screw Type Die-Cast Box and AL Cover	ITEM NO LTW/AP-DDU-M00003	DRAWN BY Simon	DATE 2007/08/10
SCALE F:ree	SHEET 2 OF 2	DWG NO LTW/AP-DDU-M00003	CHECKED BY Kathy	DATE 2007/08/10
REV. A	SIZE A4	CUSTOMER	APPROVED BY Max	DATE 2007/08/10
亮泰企業股份有限公司				