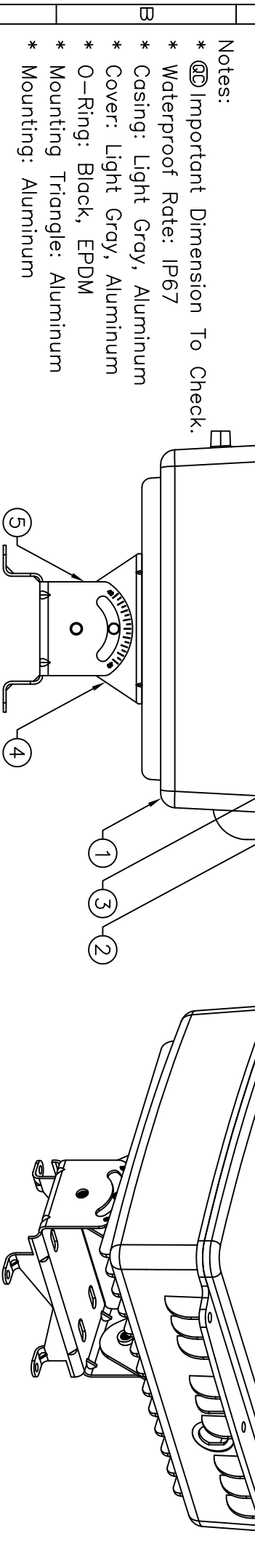
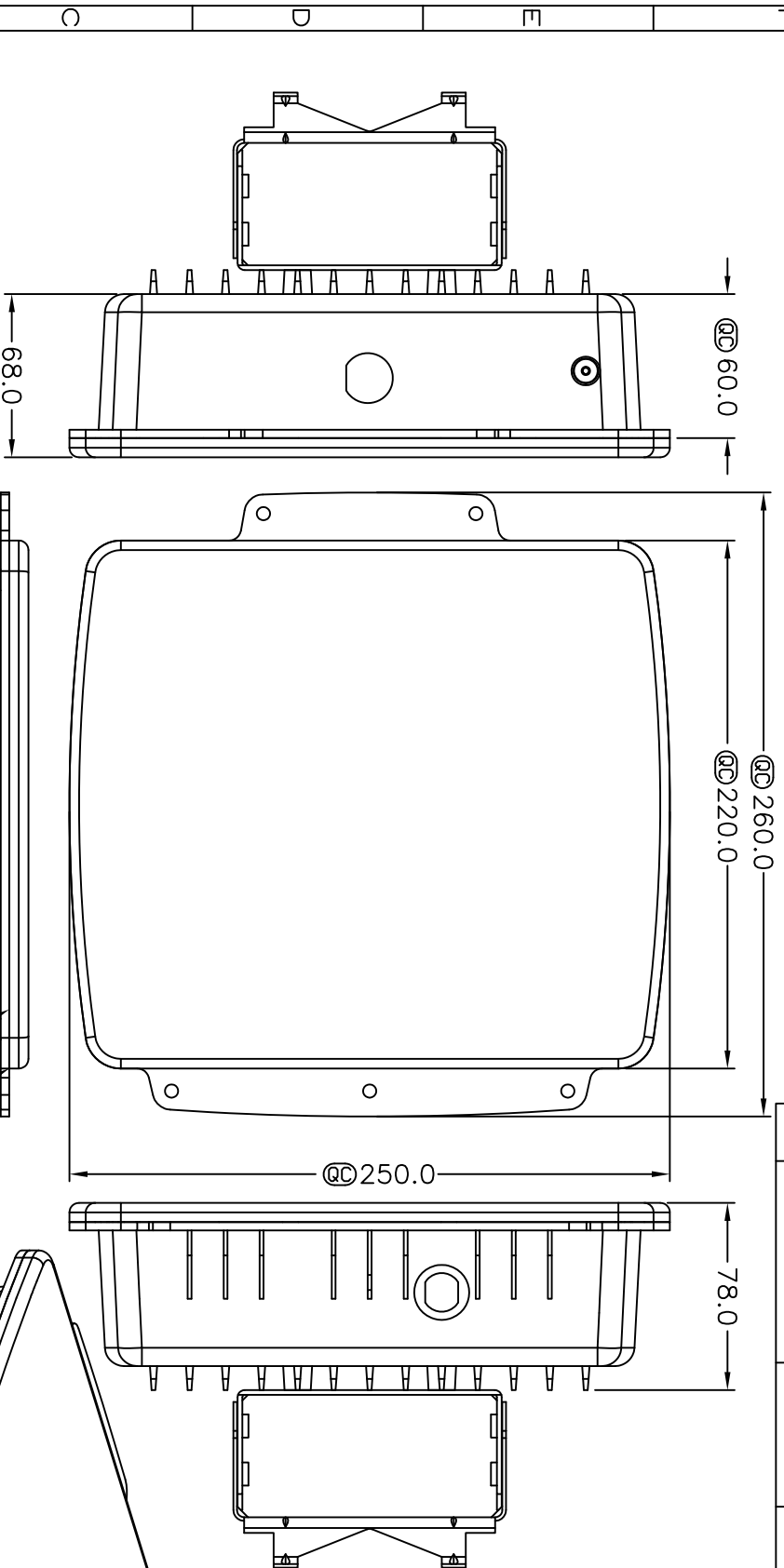
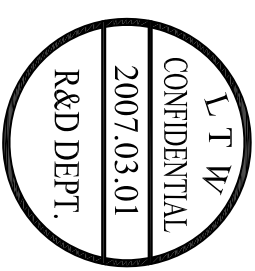


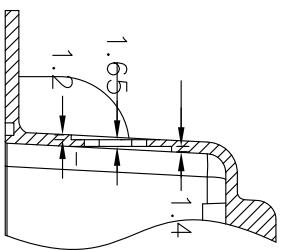
1	2	3	4	5	6	7	8	
				REV. A	ECN NO. Initial Release	DATE 2007/03/01	SIGN. Jason	DESCRIPTION Change 04 To A



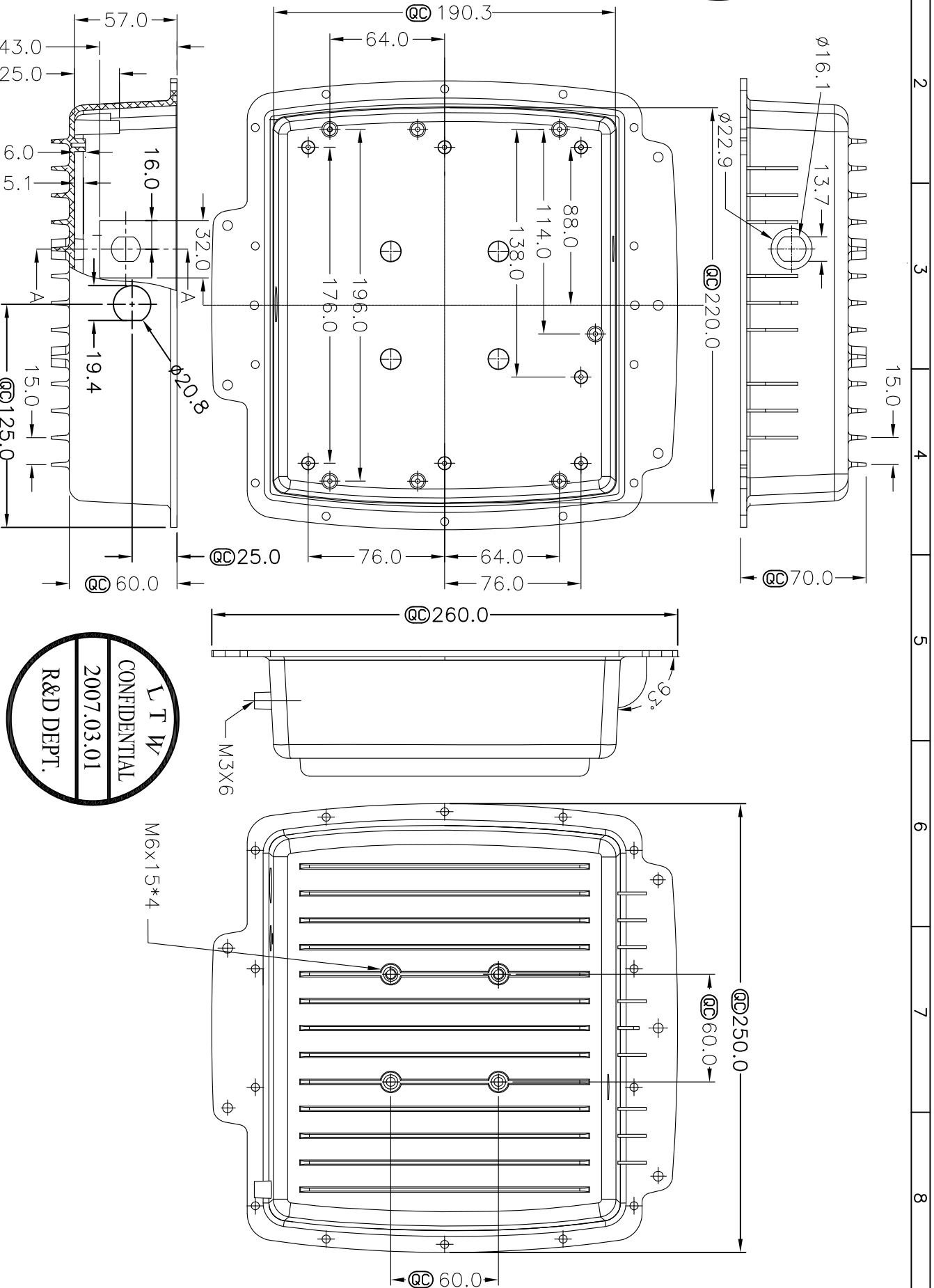
- Notes:
- * @ Dimension To Check.
 - * Waterproof Rate: IP67
 - * Casing: Light Gray, Aluminum
 - * Cover: Light Gray, Aluminum
 - * O-Ring: Black, EPDM
 - * Mounting Triangle: Aluminum
 - * Mounting: Aluminum

UNIT: mm		TITLE	Outdoor AP Box Plastic Cover RJ45*1 & N BH Jack to U.FL*1	ITEM NO	LTWAP-DDU-P01001	DRAWN BY	Jason Manas	DATE	2007/03/01
----------	--	-------	--	---------	------------------	----------	-------------	------	------------

TOLERANCE	±0.5 mm	SCALE	Free	SHEET	1 OF 2	DWG NO	LTWAP-DDU-P01001	CHECKED BY	Alan MJ Sundo	DATE	2007/03/12
REV.	A	SIZE	A4	@ Inspection Item		CUSTOMER	亮泰企業股份有限公司	APPROVED BY	Win	DATE	2007/03/12



Section A-A
Scale 3:2



UNIT:mm

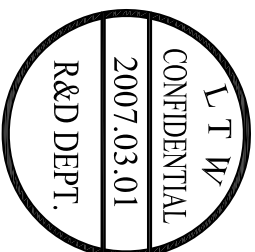
TOLERANCE
 .X ±0.25
 .XX ±0.1
 .XXX ±0.05
 ANGLES ±1°

TITLE
 Outdoor AP Box Plastic Cover
 RJ45*1&N BH Jack to U.FL*1

SCALE Free
 SHEET 2 OF 2
 REV. A SIZE A4
 Inspection Item

L T W

亮泰企業股份有限公司



ITEM NO LTWAP-DDU-P01001	DRAWN BY Jason Manas	DATE 2007/03/01
DWG NO LTWAP-DDU-P01001	CHECKED BY Alan MJ Sundo	DATE 2007/03/12
CUSTOMER	APPROVED BY Win	DATE 2007/03/12