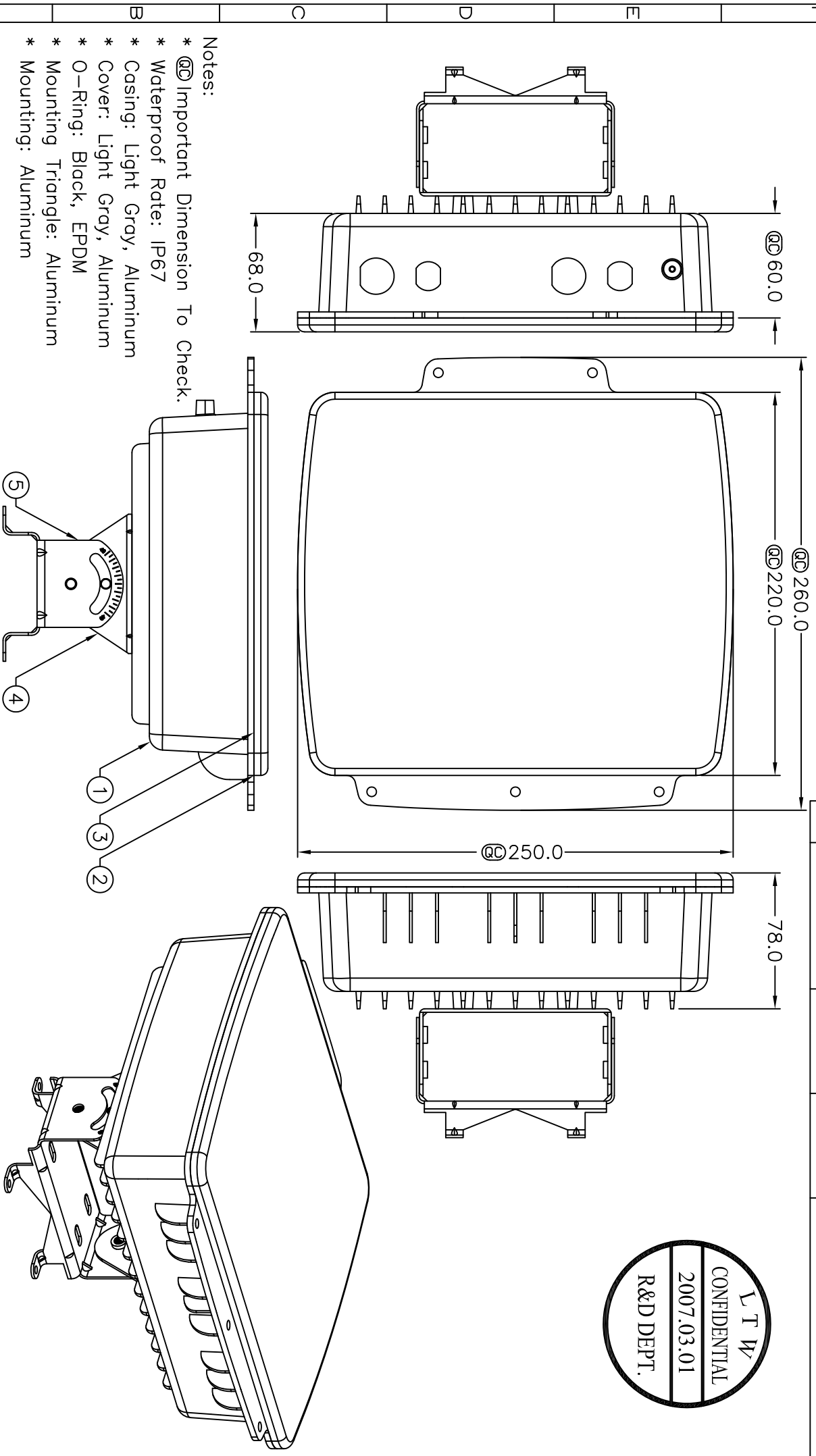
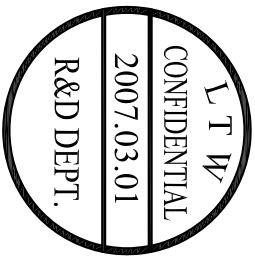


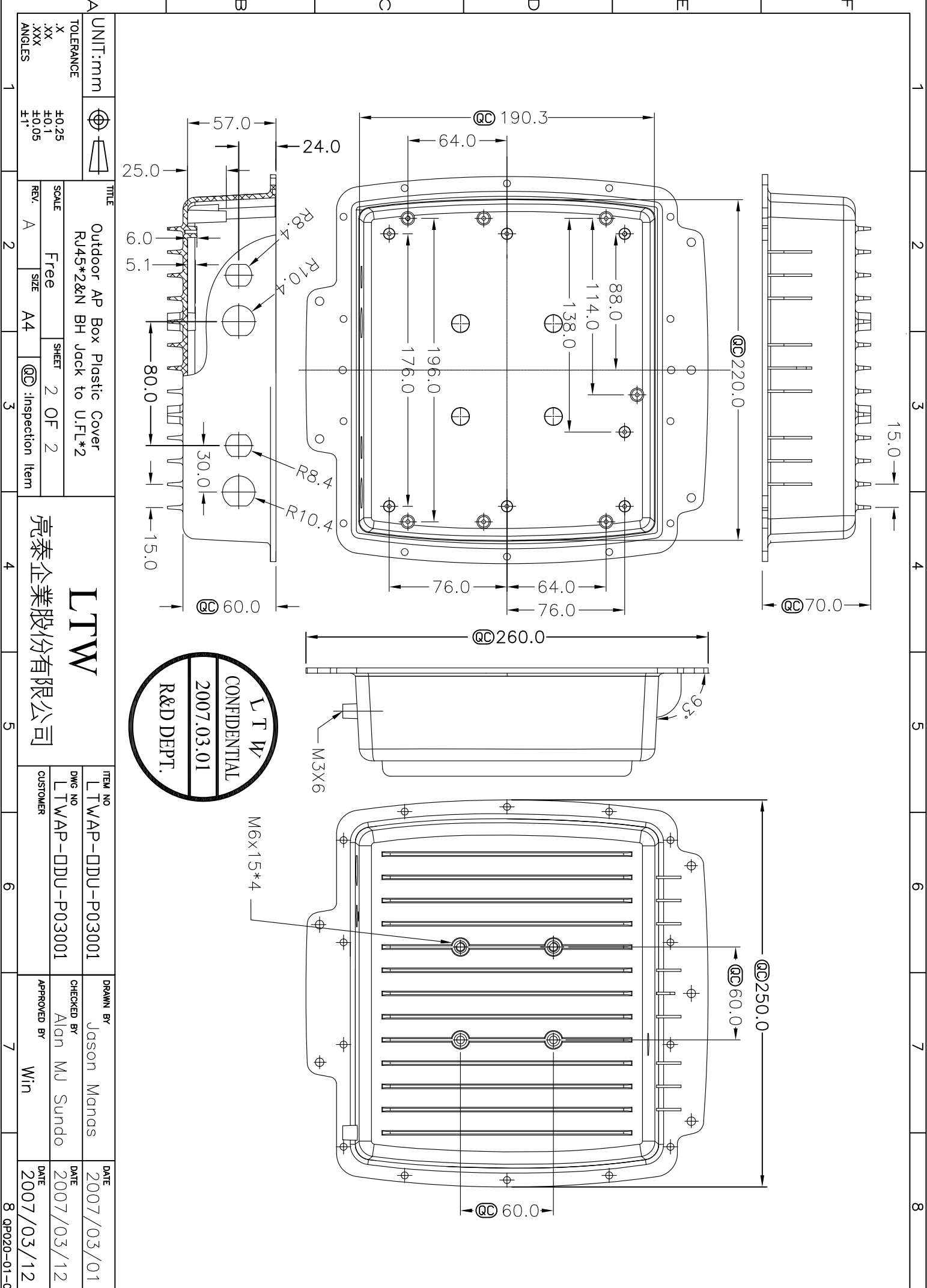
| | | | | |
|--------|-------------------------|-----------------|-------------|----------------------------|
| REV. A | ECN NO. Initial Release | DATE 2007/03/01 | SIGN. Jason | DESCRIPTION Change 03 To A |
|--------|-------------------------|-----------------|-------------|----------------------------|



- Notes:
- * @① Important Dimension To Check.
 - * Waterproof Rate: IP67
 - * Casing: Light Gray, Aluminum
 - * Cover: Light Gray, Aluminum
 - * O-Ring: Black, EPDM
 - * Mounting Triangle: Aluminum
 - * Mounting: Aluminum

| | | | | | | | | | |
|---------|--|-------|------------------------------|---------|------------------|----------|-------------|------|------------|
| UNIT:mm | | TITLE | Outdoor AP Box Plastic Cover | ITEM NO | LTWAP-DDU-P03001 | DRAWN BY | Jason Manas | DATE | 2007/03/01 |
|---------|--|-------|------------------------------|---------|------------------|----------|-------------|------|------------|

| | | | | | | | | | | | |
|-----------|---------|-------|------|---------------------|--------|----------|------------------|-------------|---------------|------|------------|
| TOLERANCE | ±0.5 mm | SCALE | Free | SHEET | 1 OF 2 | DWG NO | LTWAP-DDU-P03001 | CHECKED BY | Alan MJ Sundo | DATE | 2007/03/12 |
| REV. | A | SIZE | A4 | ① : Inspection Item | | CUSTOMER | 亮泰企業股份有限公司 | APPROVED BY | Win | DATE | 2007/03/12 |



LTW
CONFIDENTIAL
2007.03.01
R&D DEPT.

| | | | | | | | | | |
|------------|--|------------------------------|--|-------------------|--|---------------|--|---------------|--|
| UNIT:mm | | TITLE | | ITEM NO | | DRAWN BY | | DATE | |
| TOLERANCE | | Outdoor AP Box Plastic Cover | | LTWAP-DDU-P03001 | | Jason Manas | | 2007/03/01 | |
| .X ±0.25 | | RJ45*2&N BH Jack to U.FL*2 | | DWG NO | | CHECKED BY | | DATE | |
| .XX ±0.1 | | Free | | LTWAP-DDU-P03001 | | Alan MJ Sundo | | 2007/03/12 | |
| .XXX ±0.05 | | SCALE | | CUSTOMER | | APPROVED BY | | DATE | |
| ANGLES | | Free | | LTW | | Win | | 2007/03/12 | |
| REV. | | SIZE | | SHEET | | OF | | 8 | |
| A | | A4 | | 2 | | 2 | | QP020-01-01A1 | |
| | | QC | | : Inspection Item | | | | | |

LTW
亮泰企業股份有限公司